

# Powdering Solutions For Pharma & Ayurveda



kaps engineers

Size Reduction Equipments & Grinding Systems

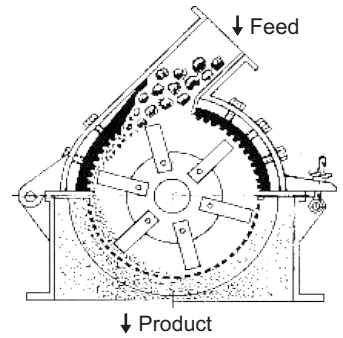
Since 1965  
7000+ Users

# Proven Performers ... that ad



## Hammer Crusher... Screen Type

|                |                     |
|----------------|---------------------|
| Model Type     | HC-01, HC-03, HC-05 |
| Mill Motor     | 7.5 to 75 HP        |
| Capacity       | 100 to 3000 kg / hr |
| Max. feed size | 50mm & less         |
| Fineness range | 4mm & less          |

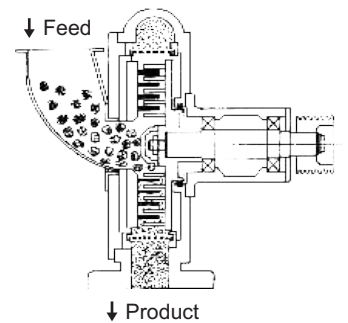


Versatile, Perfect to disintegrate, Crushing Lumps, Irregular shaped hard & fibrous materials from coarse to medium fine powder.

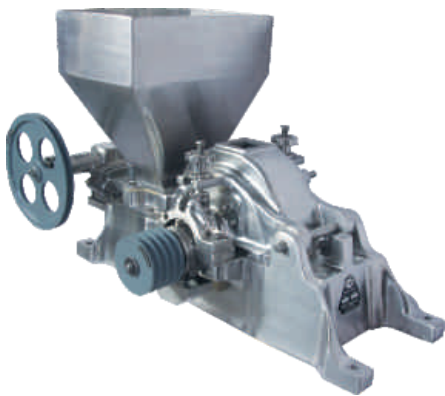


## Universal Mill (Pin Mill)... Screen Type

|                |                     |
|----------------|---------------------|
| Model Type     | PP - 302, PP - 452  |
| Mill Motor     | 10 to 30 HP         |
| Capacity       | 100 to 2000 kg / hr |
| Max. feed size | 10mm & less         |
| Fineness range | 250 microns & less  |

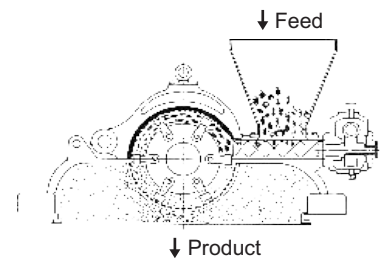


Cool powdering operation to retain vital properties, Recommended for medium to fine powder of soft to semi hard materials.



## Mikro Pulverizer...Screen Type

|                |                           |
|----------------|---------------------------|
| Model Type     | MP - 01, MP - 02, MP - 31 |
| Mill Motor     | 5 to 40 HP                |
| Capacity       | 30 to 1000 kg / hr        |
| Max. feed size | 6mm & less                |
| Fineness range | 250 to 50 microns & less  |



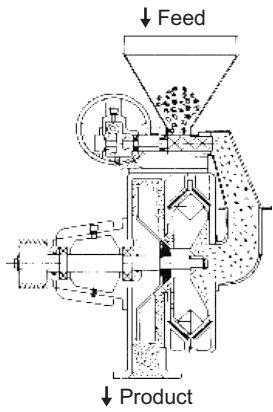
High speed close tolerance Hammer mill suitable for soft to medium hard materials are quickly pulverized to fine powder. Provision for cool grinding.

Variety of product collection configurations available with batch type and continuous system

## Batch Type



# Up to perfect size reduction

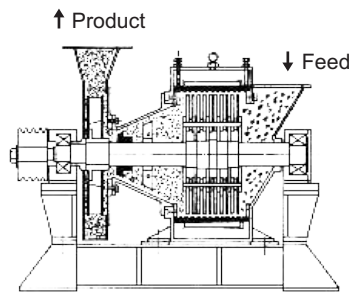


## Ultra Fine Mill... Screen Less

|                |                      |
|----------------|----------------------|
| Model Type     | UFM - 300, UFM - 400 |
| Mill Motor     | 10 to 20 HP          |
| Capacity       | 10 to 100 kg / hr    |
| Max. feed size | 6mm & less           |
| Fineness range | 25 microns & less    |

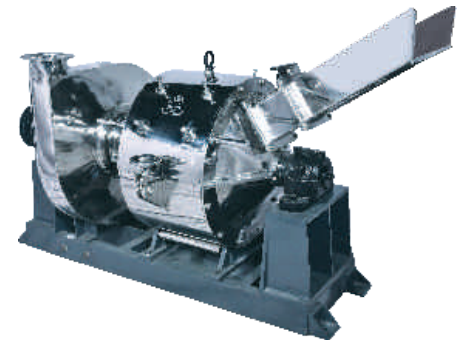


Precisely built for grinding of soft to medium hard materials in to ultra fine uniform powder. Gap plate controls fineness. Provision for cool grinding.

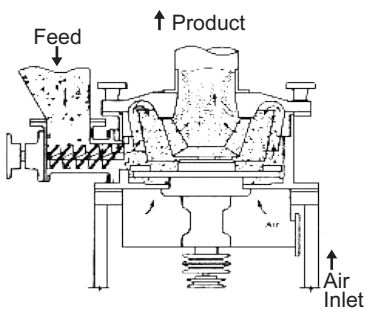


## Air Swept Mill... Screen Less

|                |                    |
|----------------|--------------------|
| Model Type     | SM - 1500, SM - 25 |
| Mill Motor     | 20 to 40 HP        |
| Capacity       | 50 to 300 kg / hr  |
| Max. feed size | 10mm & less        |
| Fineness range | 250 microns & less |



Air swept impact mills Whizzer type classifier recommended for micro fine powder of soft to medium hard, fibrous & slightly moist materials. Mill is supplied with pneumatic conveying system.



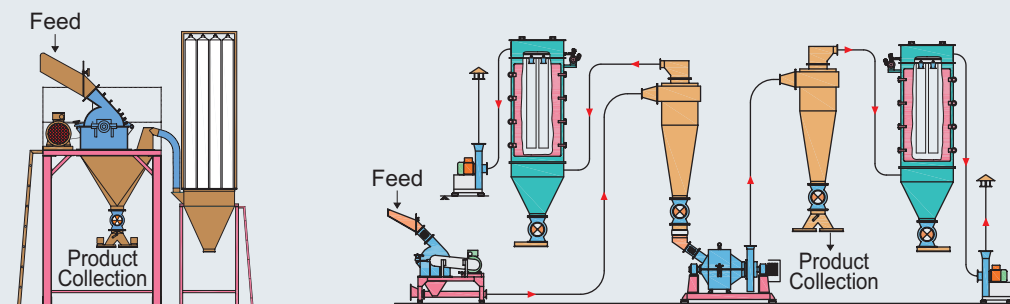
## Air Classifier Mill... Screen Less

|                |                              |
|----------------|------------------------------|
| Model Type     | KCM - 11, KCM - 31, KCM - 61 |
| Mill Motor     | 10 to 60 HP                  |
| Capacity       | 100 to 1000 kg / hr          |
| Max. feed size | 10mm & less                  |
| Fineness range | 25 microns & less            |



Designed for micronised fine & free flowing powder. Air classifier controls the top cut size powder. Mill is supplied with pneumatic conveying system. Provision for cool grinding.

## Continuous Type



- Dust less operation
- Design for chilled Air supply
- Stainless Steel GMP grade equipments
- Easy cleaning and quick changing of Parts



**When reducing size is important...**

**Rely on India's leading manufacturer for the total powdering solutions**

KAPS.... The pioneer in field, meets your needs for variety of applications through a chain of processes such as pre-crushing to micro fine grinding, grading and handling of bulk powder materials with almost dust less operations. We attach due importance to critical parameters such as top cut size and grade distribution of powder, power consumption and minimum running maintenance for the equipment. We are in sound position to guarantee operational efficiency, reliability and support after sales to our end users.

### Reliability

- Kaps is a family run business currently in its 3rd generation of family management.
- Over 60% business from repeat customers.
- Total customer satisfaction
- Dependable powdering solutions
- Continuous technical & service support

### Experience

- Perfecting particle size for over 50 years
- Over 7000+ installations worldwide
- Experience of over 7000+ trial test data
- Kaps employees average over 15 years of service.

### Services

- All operations are under one roof resulting in fast reliable problem solving
- Fully equipped trial test facility helps customers determine the best way to achieve fine particle size and understand processing characteristics
- A skilled service team available for startup of new equipment & field inspection of existing installations.

### Benefits

- Sole - source responsibility with complete system availability
- Total powdering solutions from coarse to ultra fine powder
- Reduce narrow particle size distribution for product quality
- Customized grinding solutions with dust less operations
- Design for operation under inert atmosphere & Chilled Air
- Fully equipped trial test facility
- Stainless Steel contact parts & GMP grade systems
- Simple operation, easy cleaning & low maintenance equipments
- Batch & Continuous type collection systems
- Non lubrication contamination
- Design suitable for Feed / Discharge controls, Conveying Systems, Dust Collectors
- Quick replacement of parts
- Multi stage grinding solutions
- Can offer tried & tested versatile concepts for standard specific requirement
- Dust less operation

### Pharmaceuticals

- Bulk Drugs • Pharma Intermediates
- Active Pharma Ingredients (API) & Many More...

### Ayurveda

- Herbs and Roots • Agro Products • Herbal Extracts
- Isabgol & Many More...

*We also serve in industries like Foods, Chemicals, Plastics & many more...*

*Specifications & Illustrations subject to change, without prior notice, due to constant upgradation.*

Powder Processing Technology...  
the kaps solutions



*Where the application matters*

Manufactured & Marketed by :

**kaps engineers**

Reg. Office : 831, GIDC, Makarpura, Vadodara-390 010, Gujarat, India.

Phone : +91-265-2632692, 2648082, 2640785, 2644407

Email : sales@kapsengineers.com

Web : www.kapsengineers.com